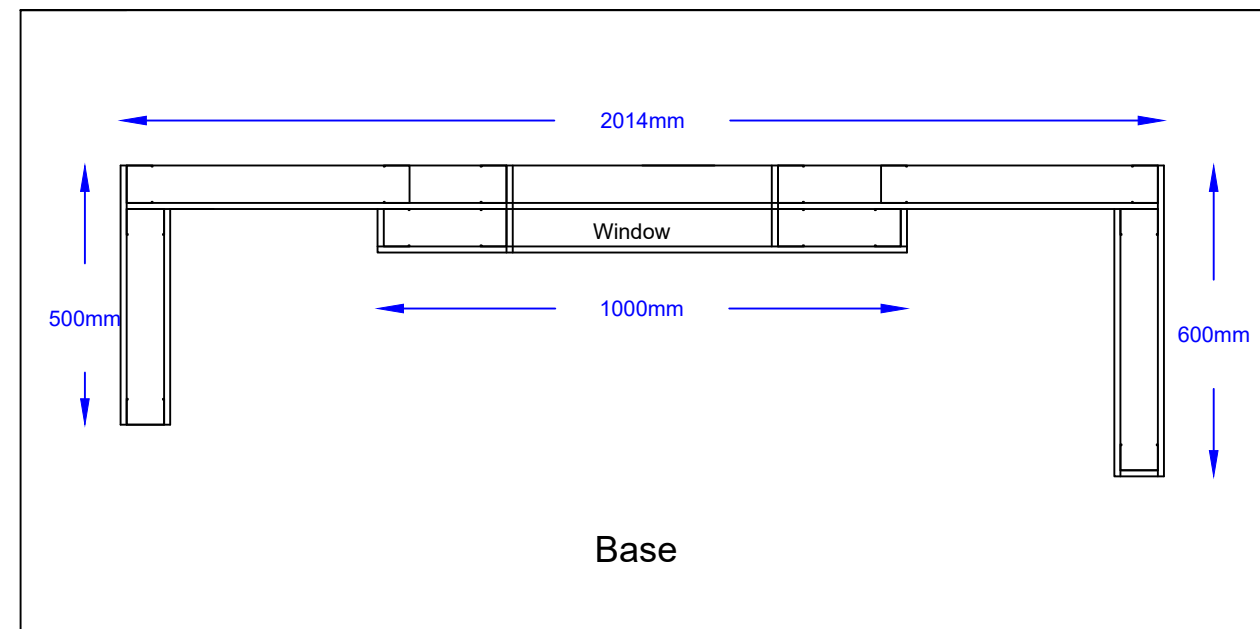


Front
Elevation



Plan

SKILLBUILD

British Gypsum
SAINT-GOBAIN

citb

Plastering & Drywall Systems Advanced

SB-302/4-RQ-PDS-AD-11/2/18

Drawing CMcC 18