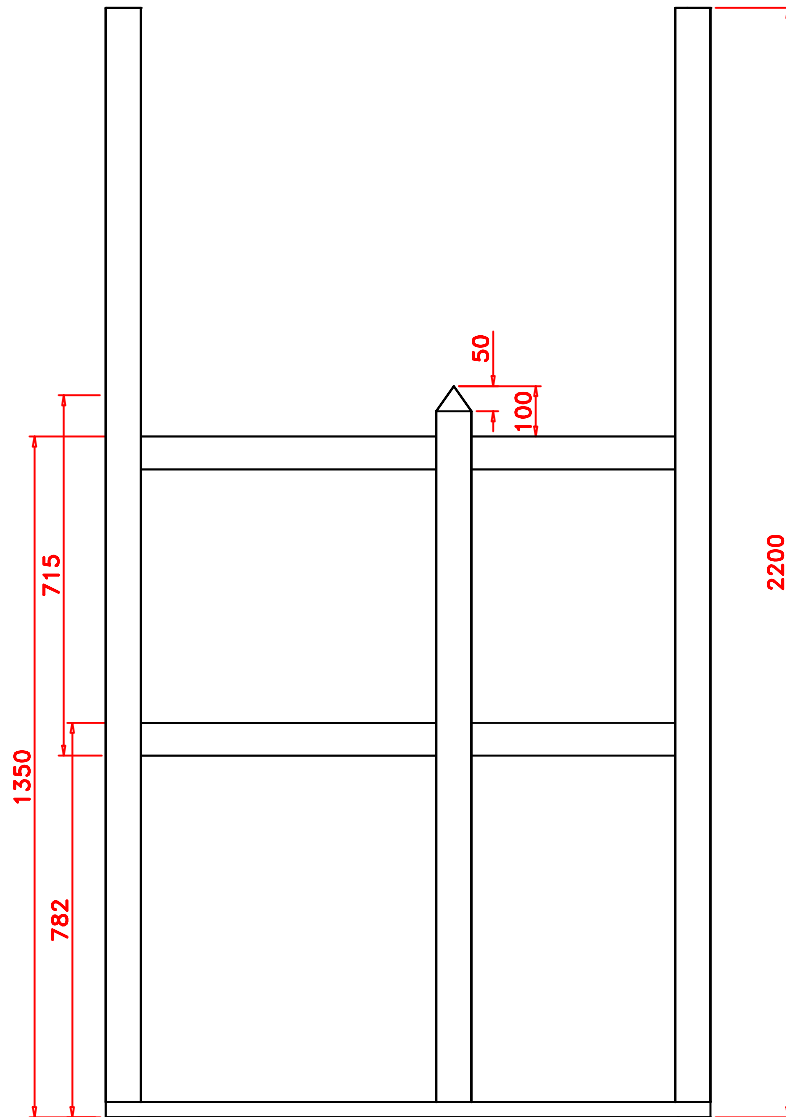
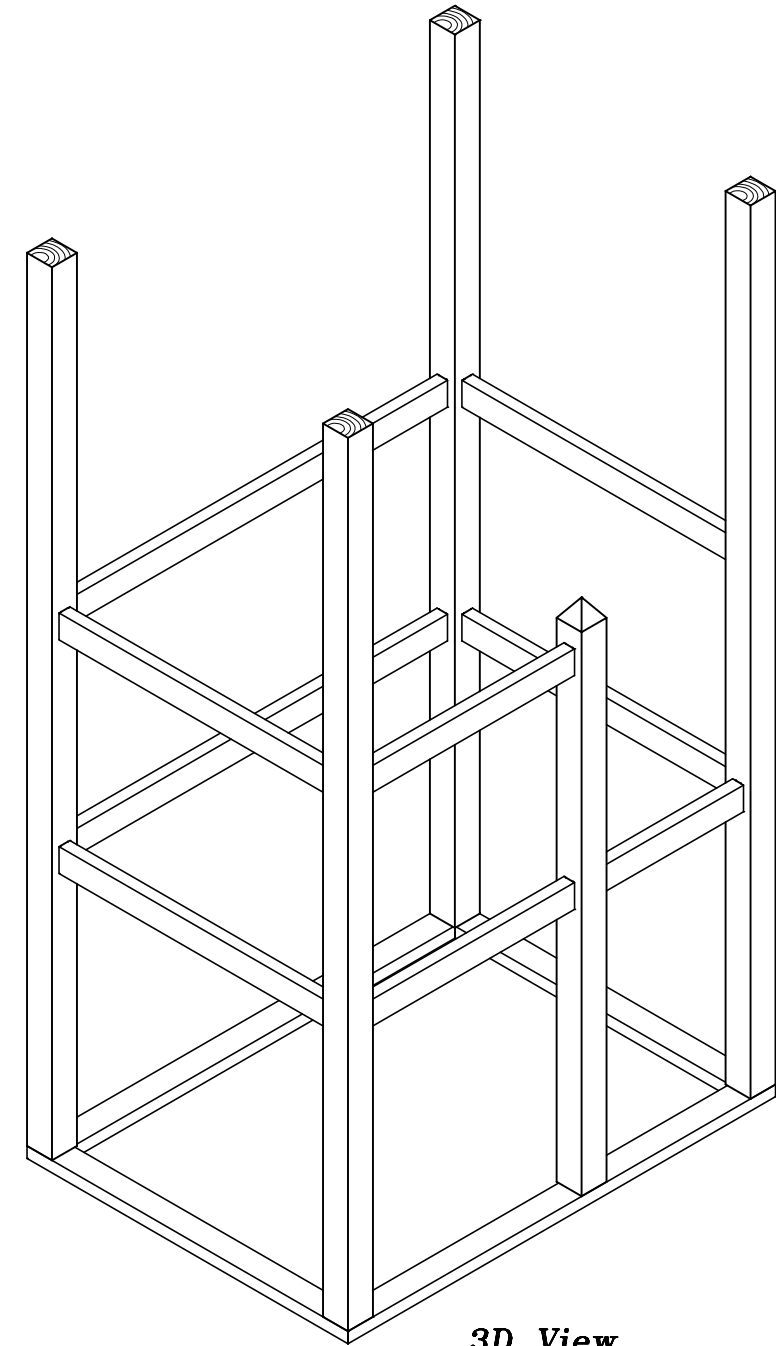


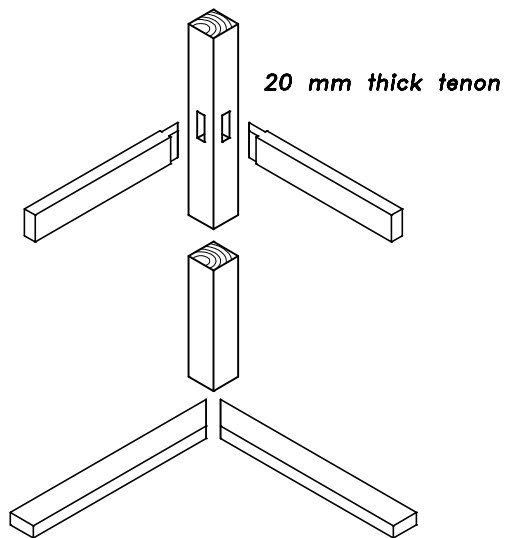
END ELEVATION



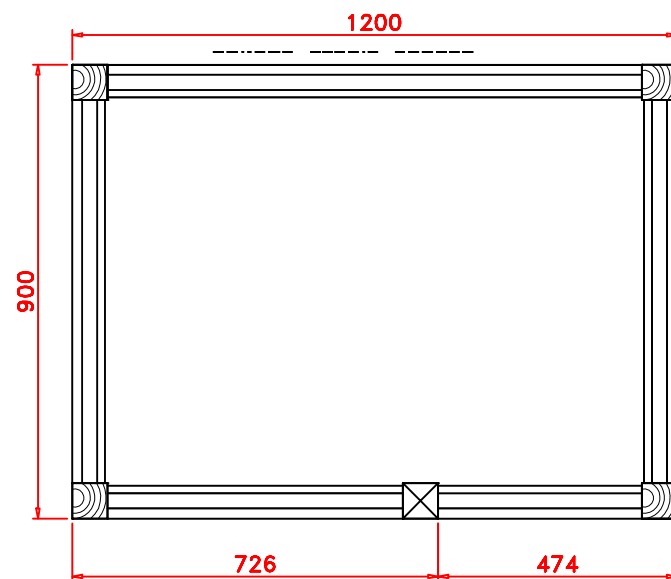
ELEVATION



3D View



Rail Joint Detail



PLAN

SKILLBUILD

SkillBuild National Finals

CARPENTRY
Module 1 – Frame

SCALE: 1:12

Drawing No SB18/1

Drawn by Pat Phillips

patphillips111@gmail.com