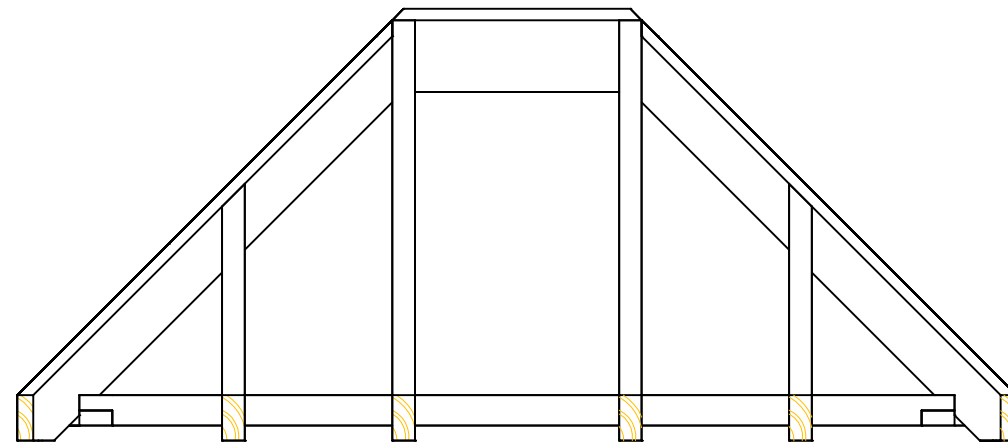
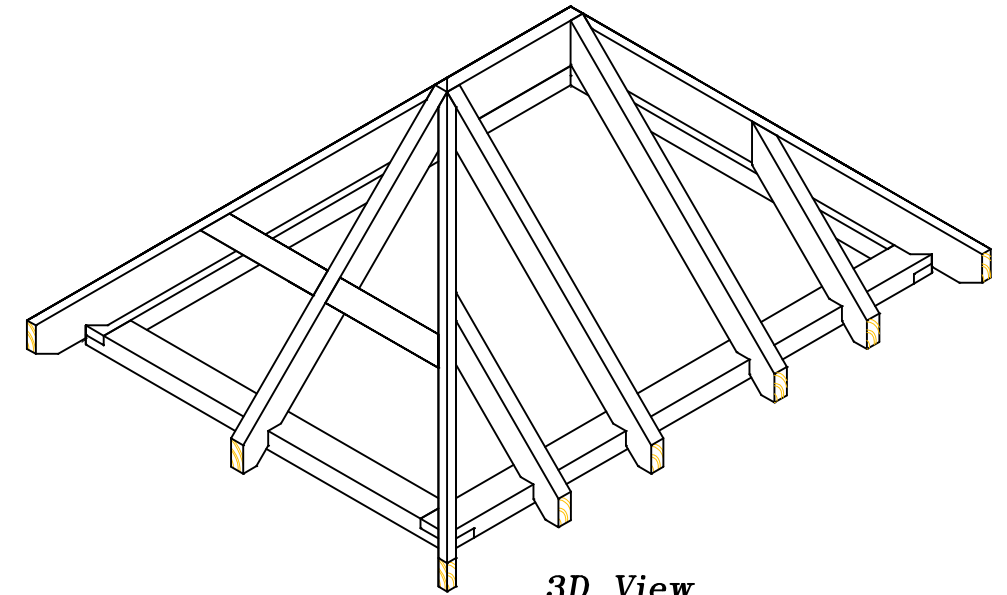


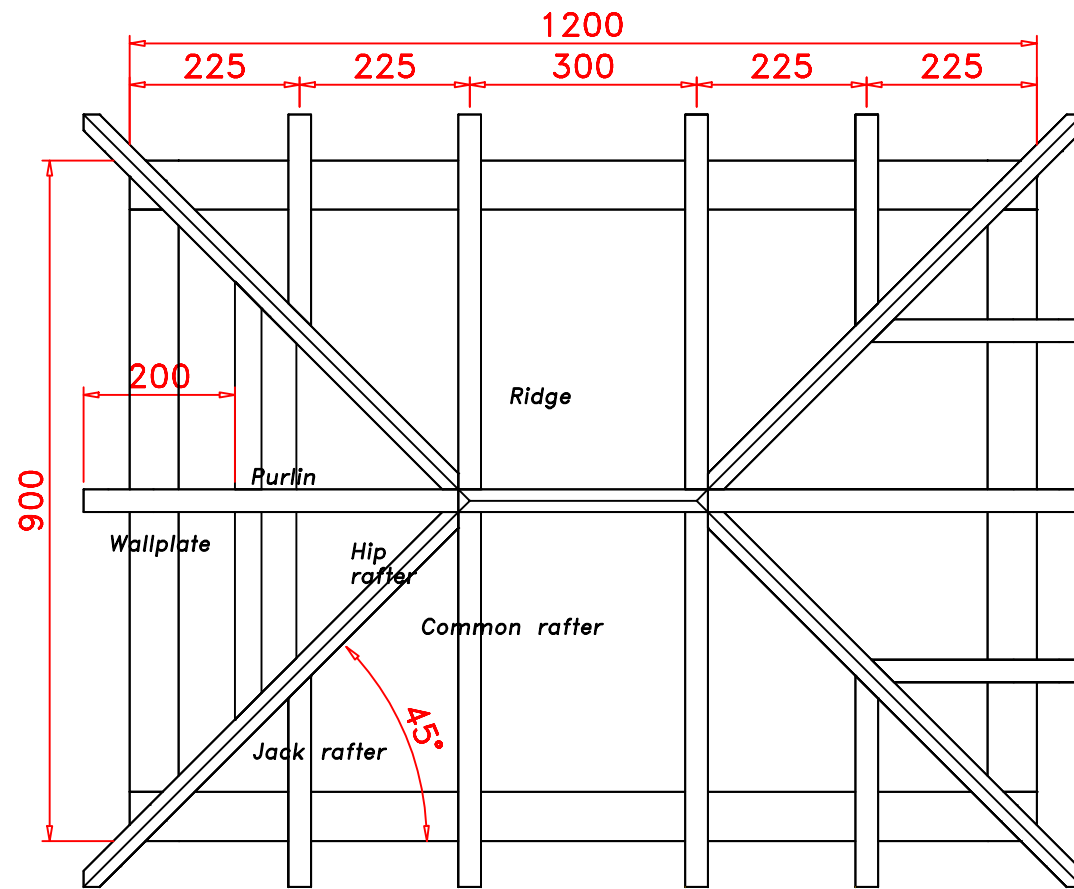
END ELEVATION



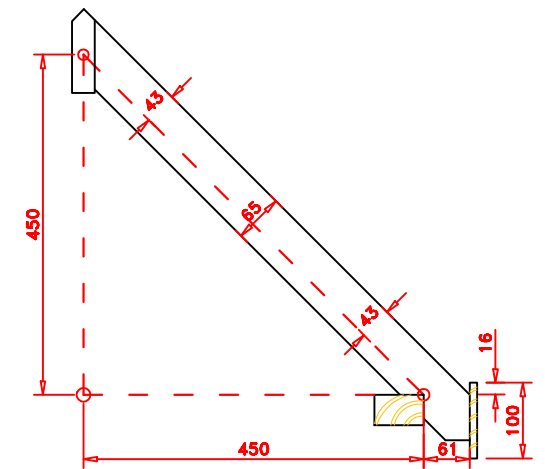
ELEVATION



3D View



PLAN



Common rafter dimensions

SKILLBUILD

SkillBuild National Finals
CARPENTRY
 Module 2 – Roof

SCALE: 1:10

Drawing No SB18/2

Drawn by Pat Phillips

patphillips111@gmail.com