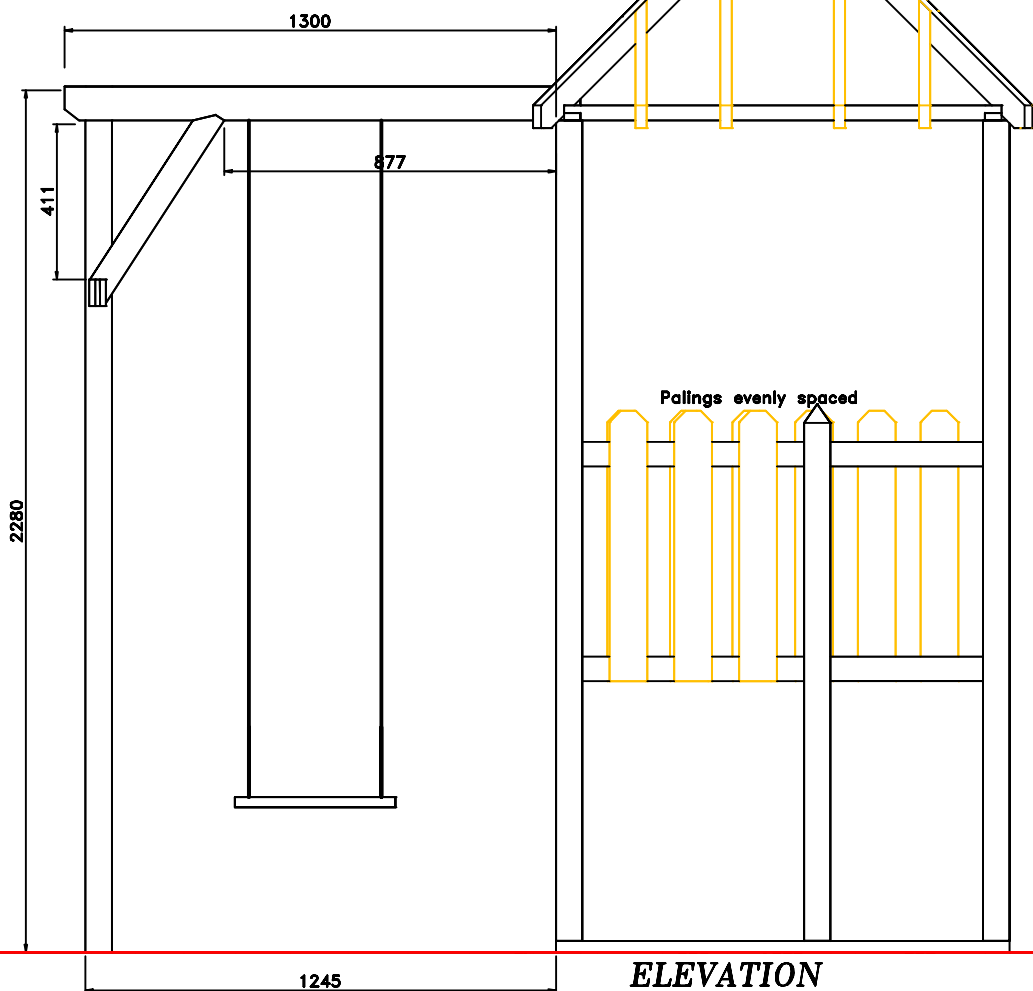
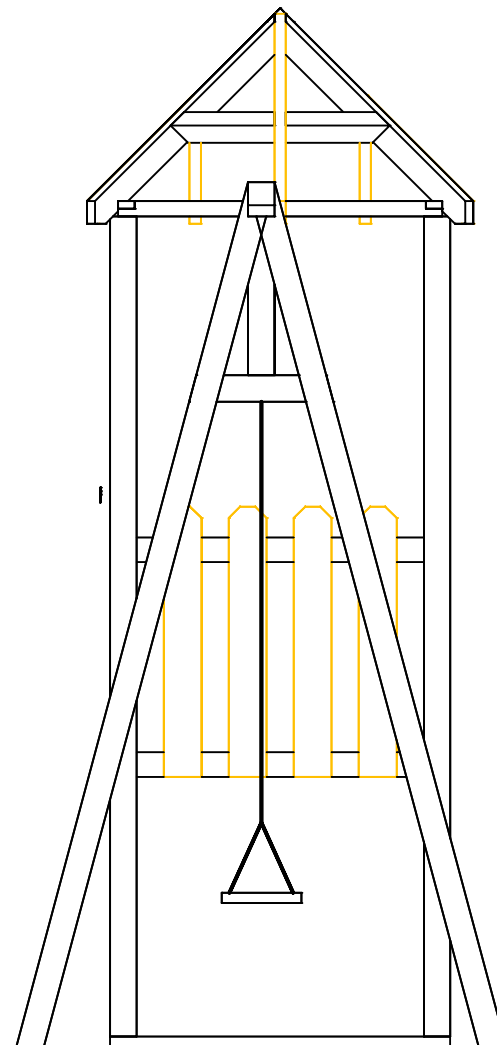


3D View



ELEVATION



END ELEVATION

SKILLBUILD	
<i>SkillBuild National Finals</i>	
CARPENTRY Module 3	
<i>Pailings Steps & Swing</i>	
SCALE: 1:16	Drawing No SB18/3
Drawn by Pat Phillips	patphillips111@gmail.com