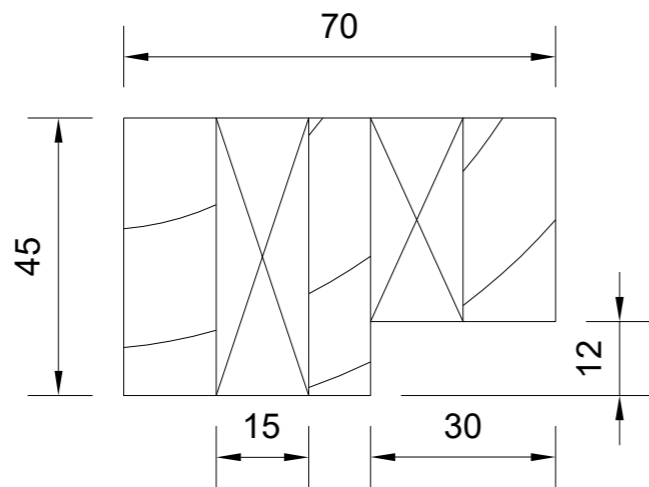
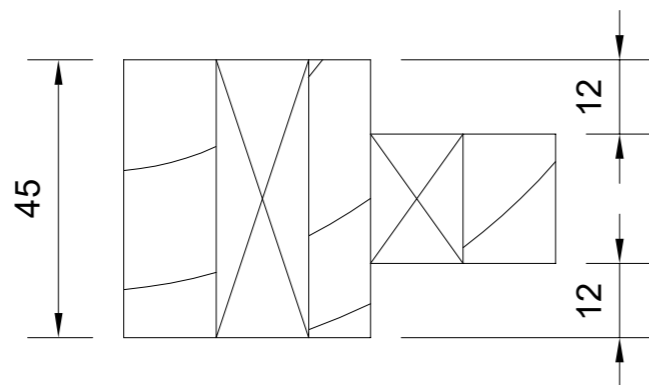


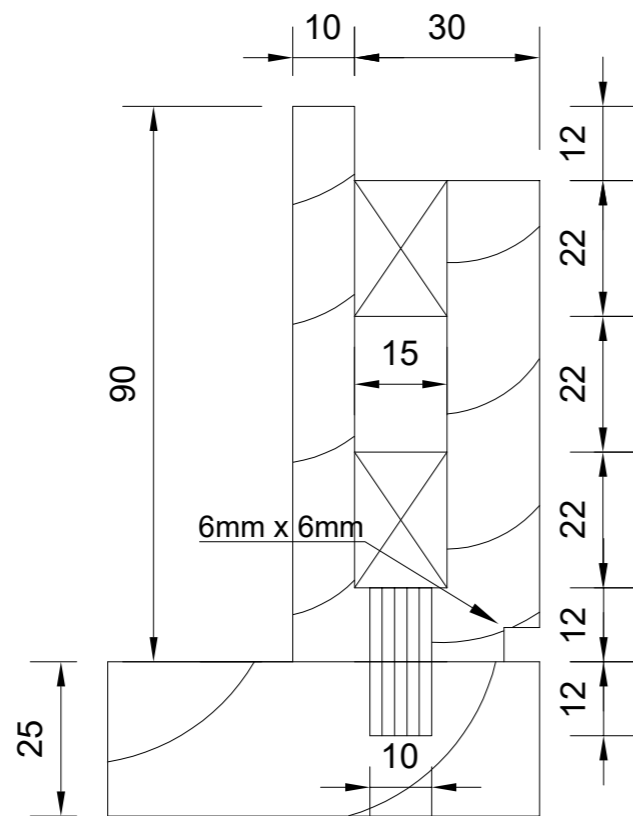
Section A - A



Section B - B

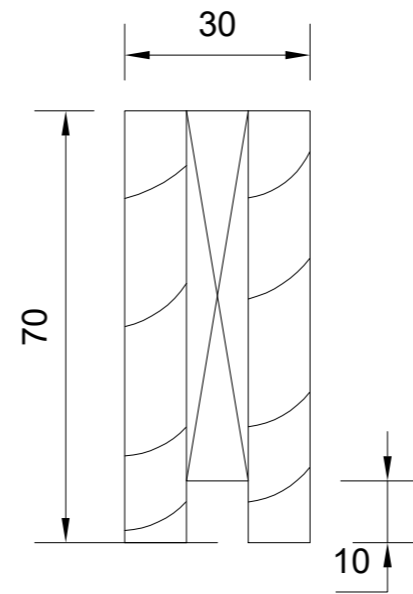


Section C - C

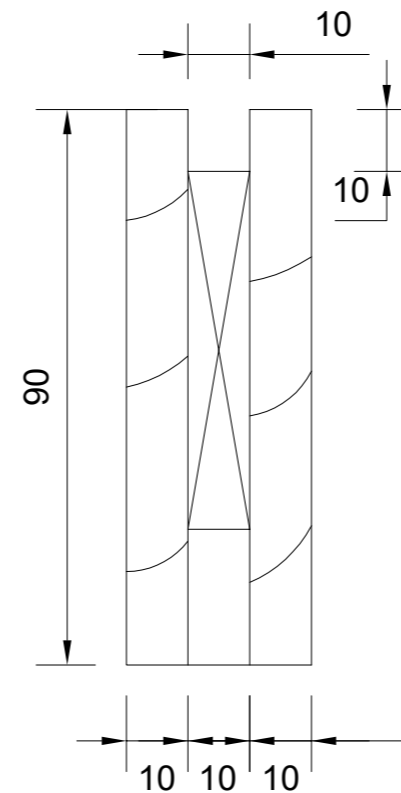


NOTE: MARK OUT MATERIAL TO SUIT CUTTER SIZES FOR ALL COMPONENTS

MODULE 1 - SUB FRAME

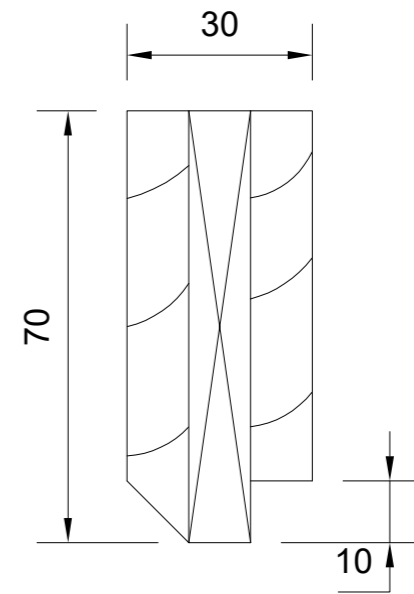


SECTION H - H

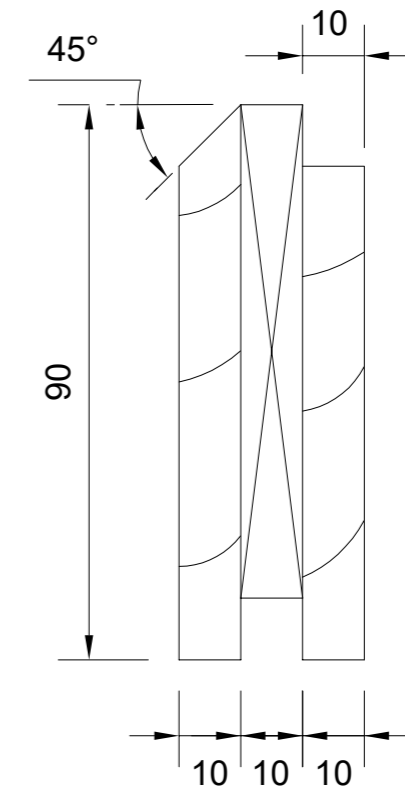


SECTION F - F

MODULE 2 - DOOR FRAME



SECTION D - D; G - G



SECTION E - E

WORLD SKILLS UK LIVE		SKILL BUILD	
Skill 25 - Joinery		DELIVERED BY CITB	
SKILLBUILD NATIONAL FINAL			
Skill: 25 - JOINERY		OR	
Scale: NTS	Date: 08/10/2018	Paper: A3	
DWG/ Design/ Edited by: AP/ DD/ DM		Drawing No: [blank]	
Description: MODULE 3 - Sections		Rev: 2	Page: 3 of 4