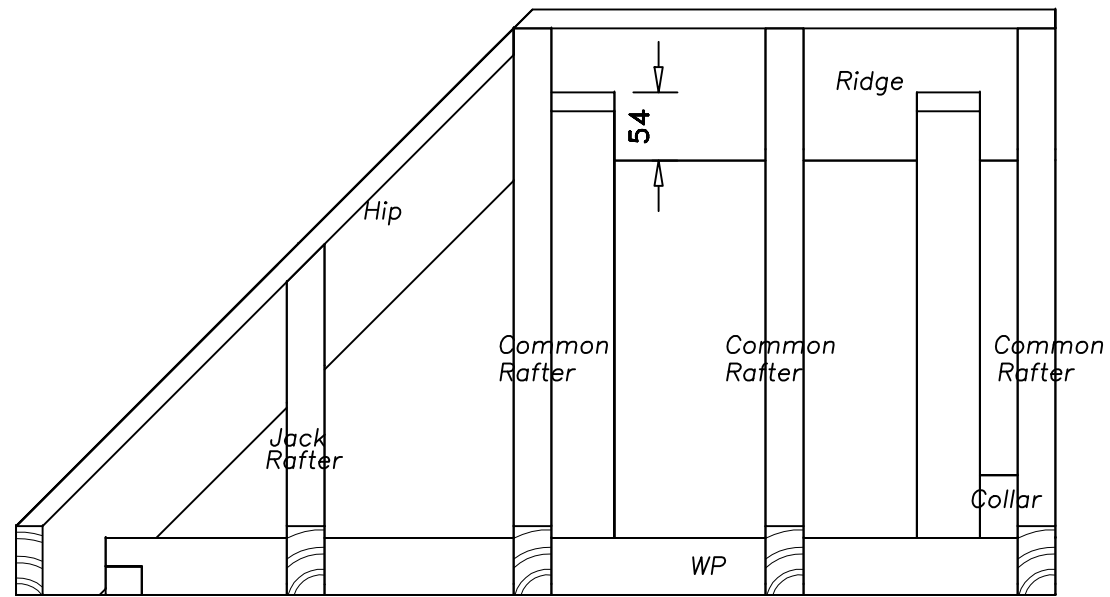
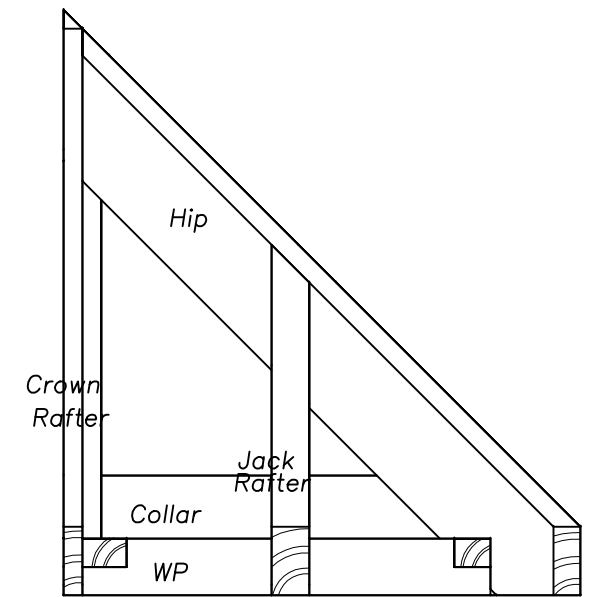


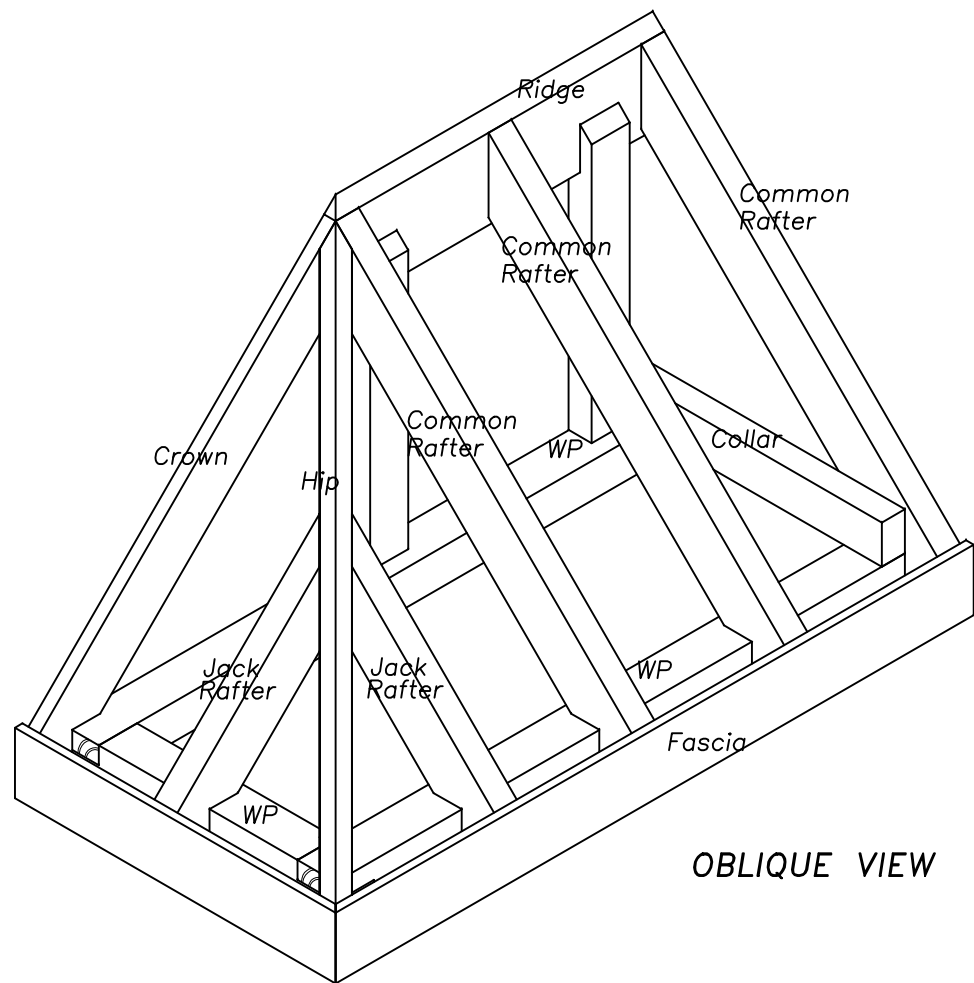
END ELEVATION



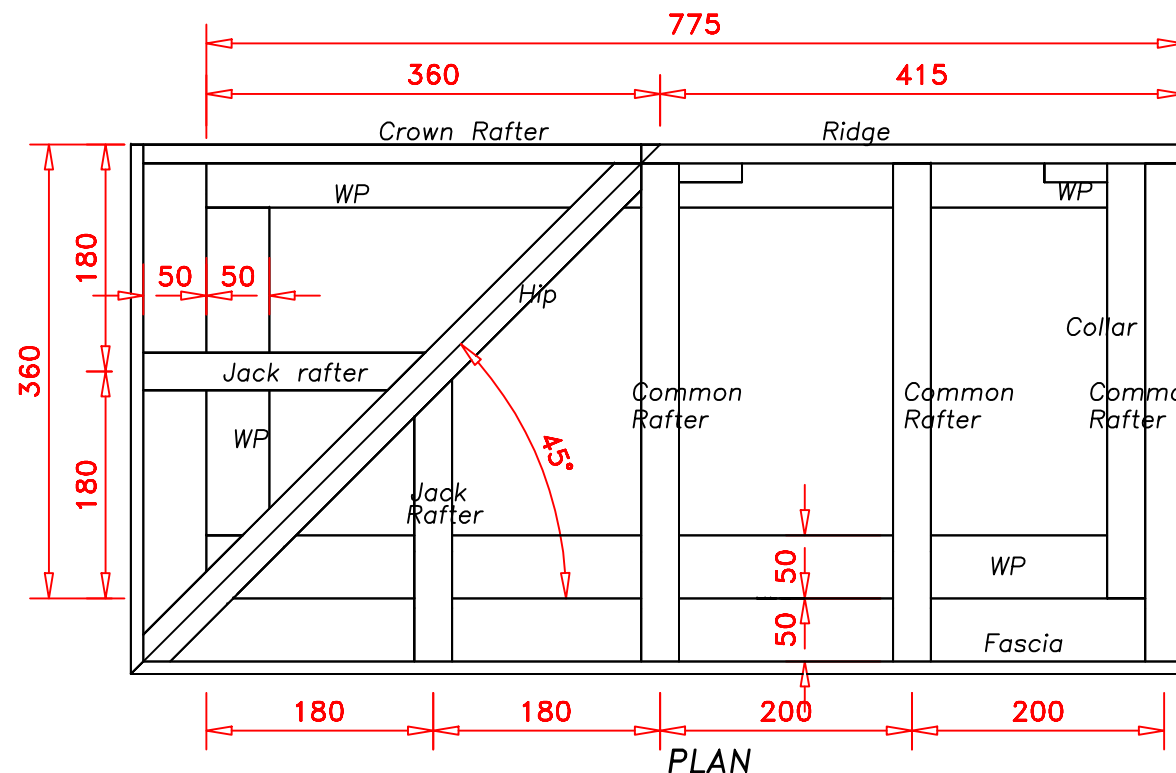
ELEVATION



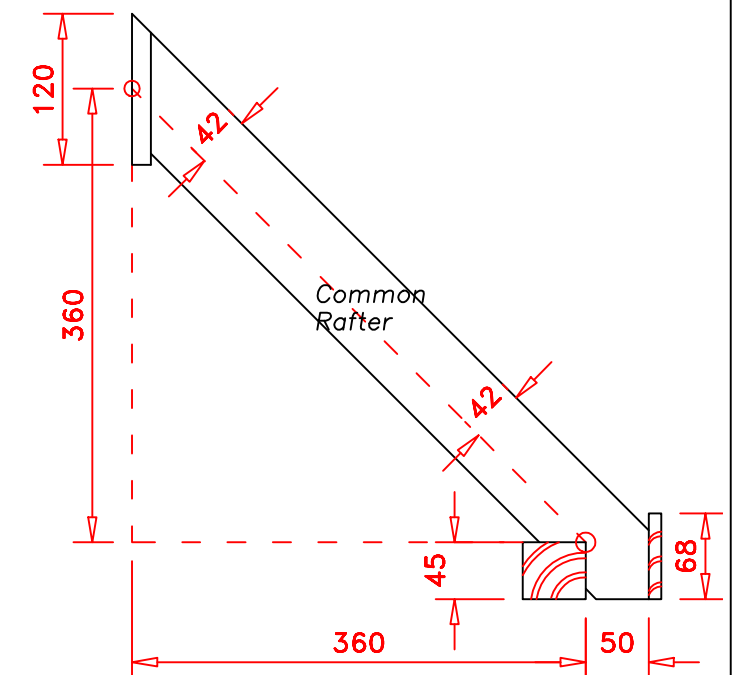
END ELEVATION



OBLIQUE VIEW



PLAN



Common Rafter Details

Cutting list

Member	No	Length	Width	Thickness
Wallplates (WP)	2	800	50	45
Wallplates (WP)	1	400	50	45
Common rafters	3	700	68	30
Jack rafters	2	450	68	30
Collar	1	400	68	30
Crown rafter	1	700	68	15
Hip rafter	1	900	90	30
Ridge	1	500	120	15
Posts	2	500	50	30
Fascia	1	850	68	10
Fascia	1	450	68	10