

**Instructions**

Install 5U felt, Klobber underlay and JB Red battens as required.

**NB:** It is not necessary to line the valley.

Install 10 courses of plain tiles to the areas indicated. It is not necessary to reach the ridge/apex. Tile-and-a-half tiles may be used to avoid small cuts.

All tile cutting must be done using hand tools only.

Pre-mixed mortar can be made available but it is the competitors responsibility to adjust the mix for stiffness/workability.

**Specification**

Tiles: 265mm x 165mm Marley concrete plain tiles, laid to a 65mm min headlap.

Nailing of the tiles is required to perimeter only.

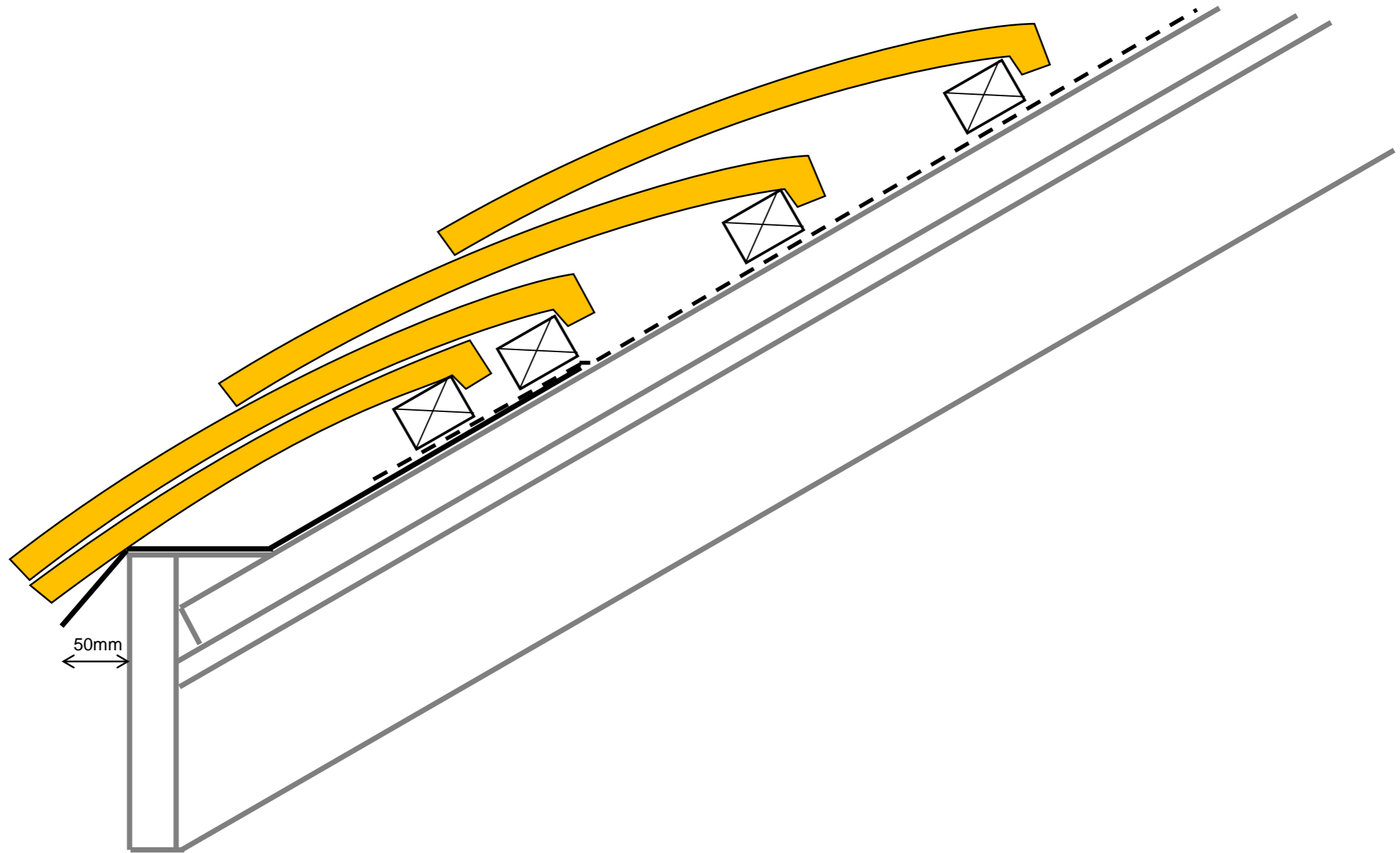
Under Eaves: Double course at eaves only to match the roof tiles.

Segmental ridge tiles: Position and fix a hip iron and solid bedded first tile at the eave other ridges side and end bedded, point all to leave clean leading edges. Ridge tiles to be mechanically fixed to a centre batten up the hip.

Time allowed: 6 hours

**Competition drawing's**

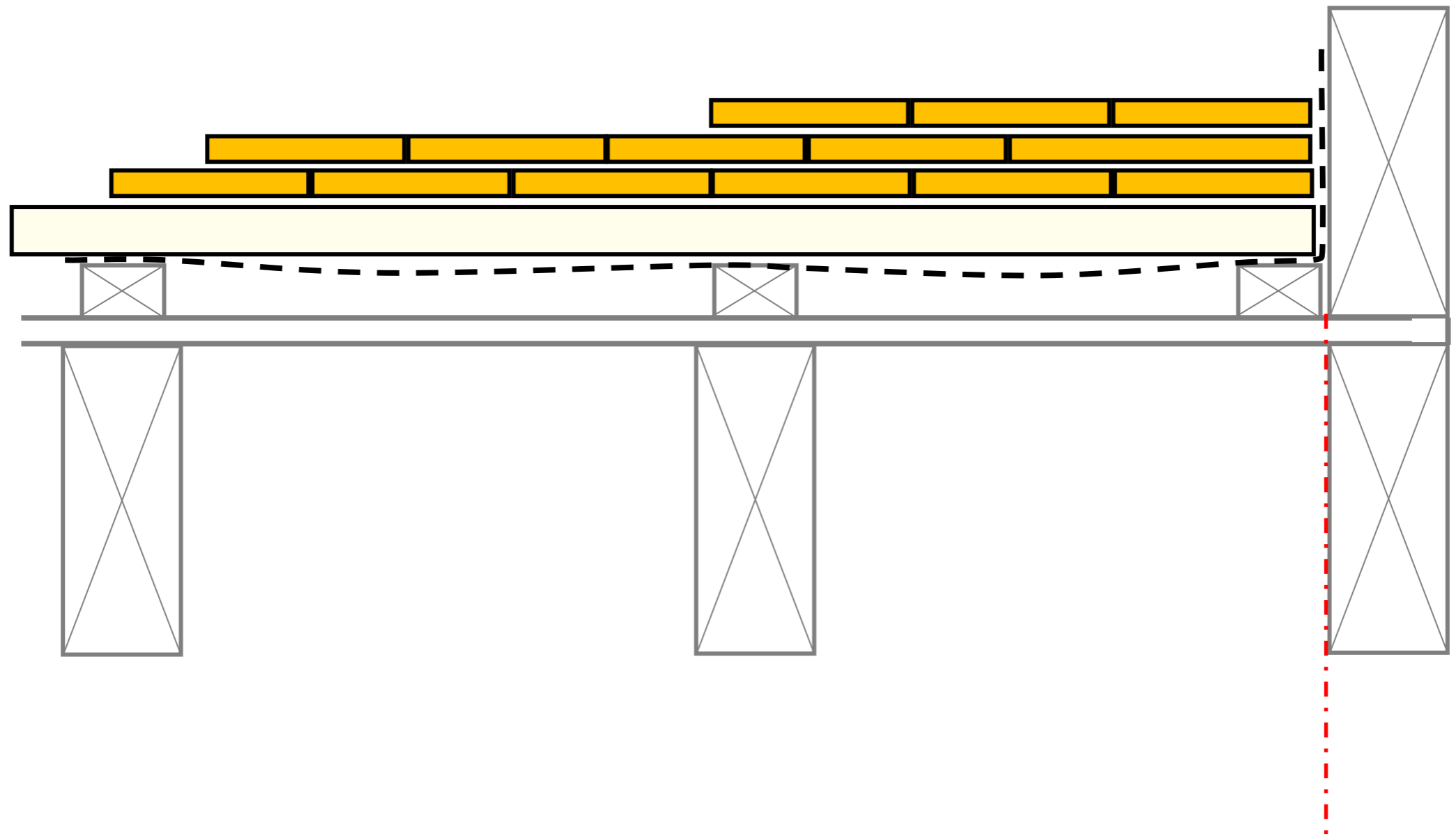
Skillbuild 2019- Regional Qualifier  
 Roof Slating and Tiling  
 SB-401/10-RST  
 27.02.19  
 Page 1 of 5



50mm

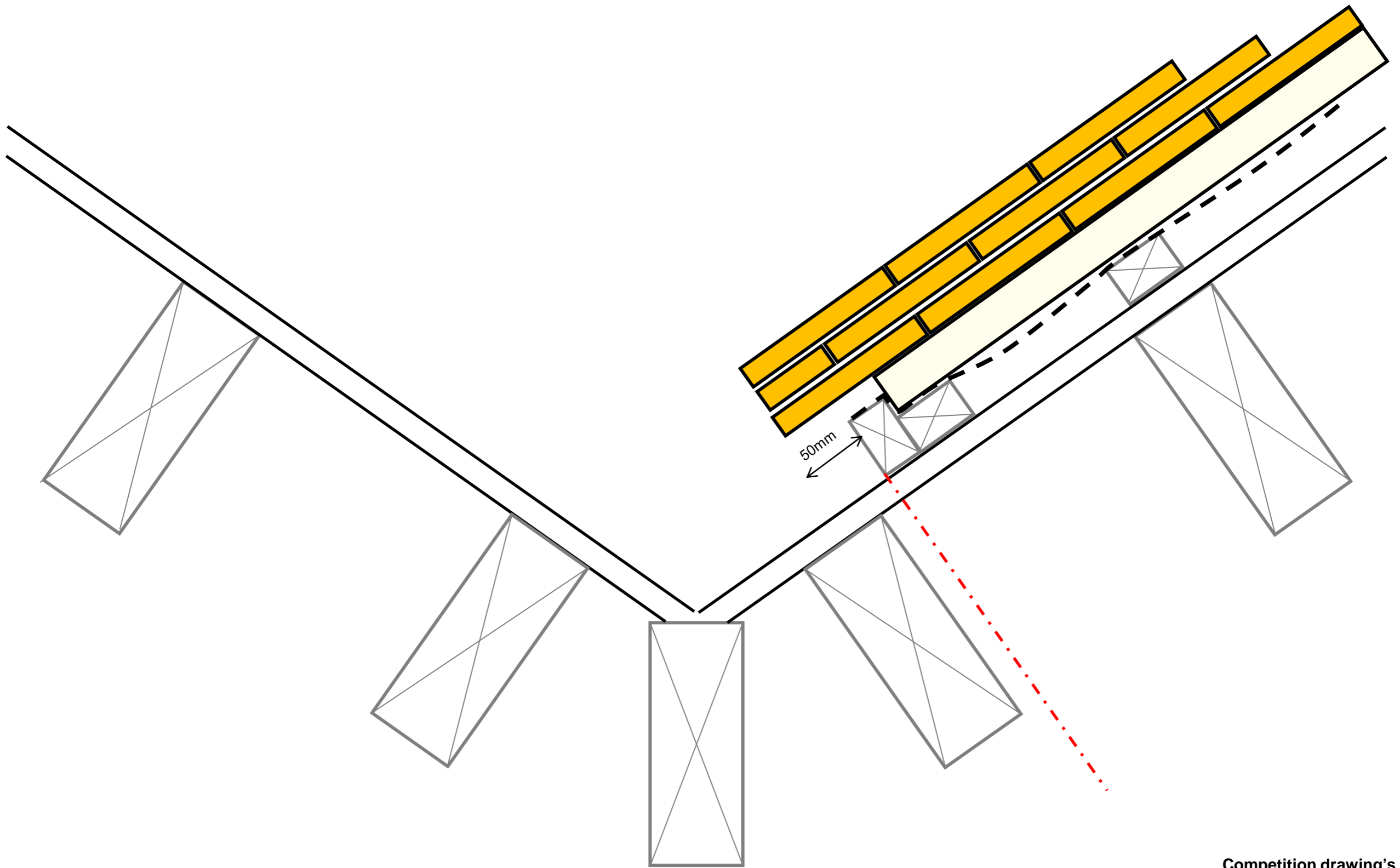
**Competition drawing's**

Skillbuild 2019- Regional Qualifier  
Roof Slating and Tiling  
SB-401/10-RST  
27.02.19  
Page 2 of 5



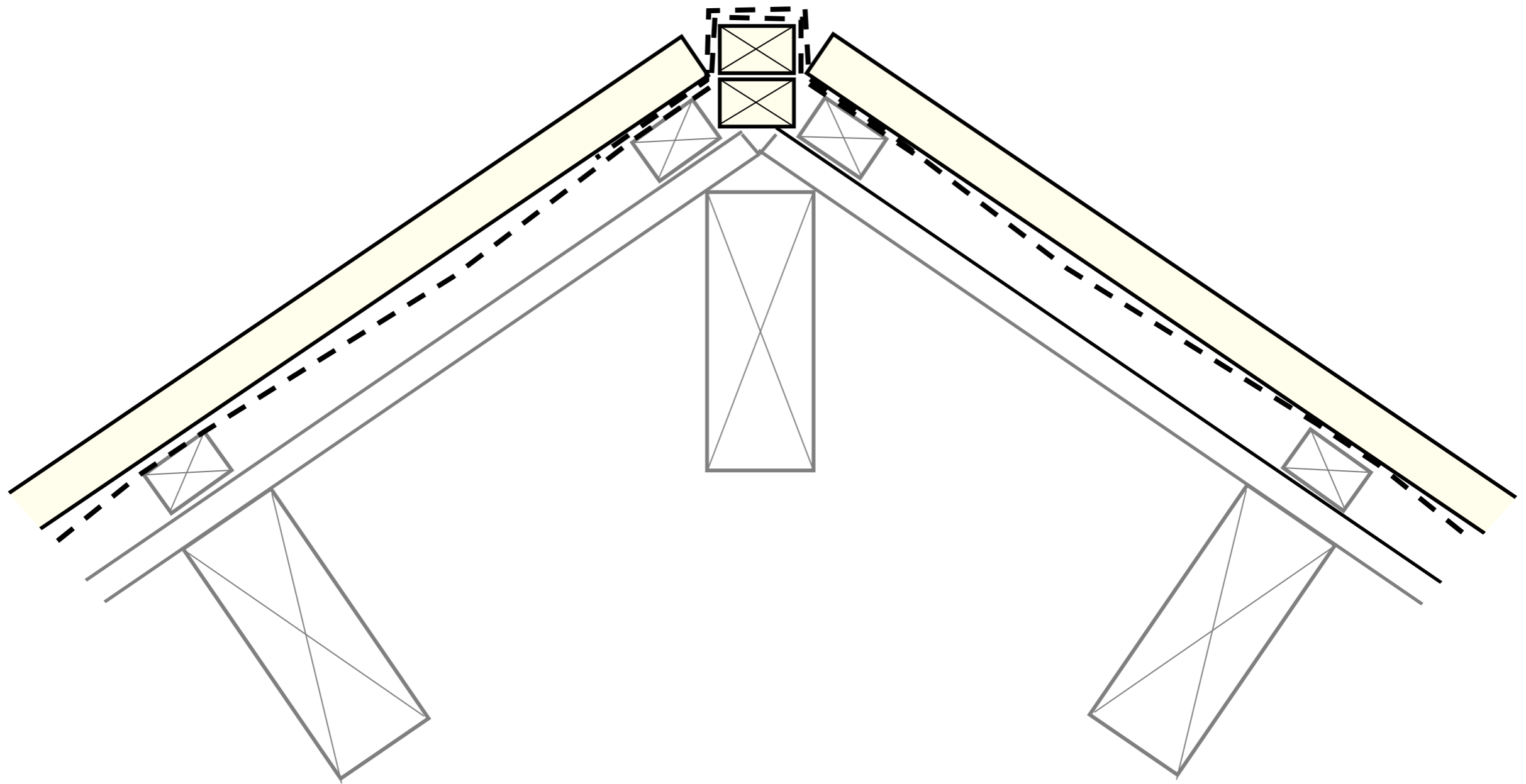
**Competition drawing's**

Skillbuild 2019- Regional Qualifier  
Roof Slating and Tiling  
SB-401/10-RST  
27.02.19  
Page 3 of 5



**Competition drawing's**

Skillbuild 2019- Regional Qualifier  
Roof Slating and Tiling  
SB-401/10-RST  
27.02.19  
Page 4 of 5



**Competition drawing's**

Skillbuild 2019- Regional Qualifier  
Roof Slating and Tiling  
SB-401/10-RST  
27.02.19  
Page 5 of 5